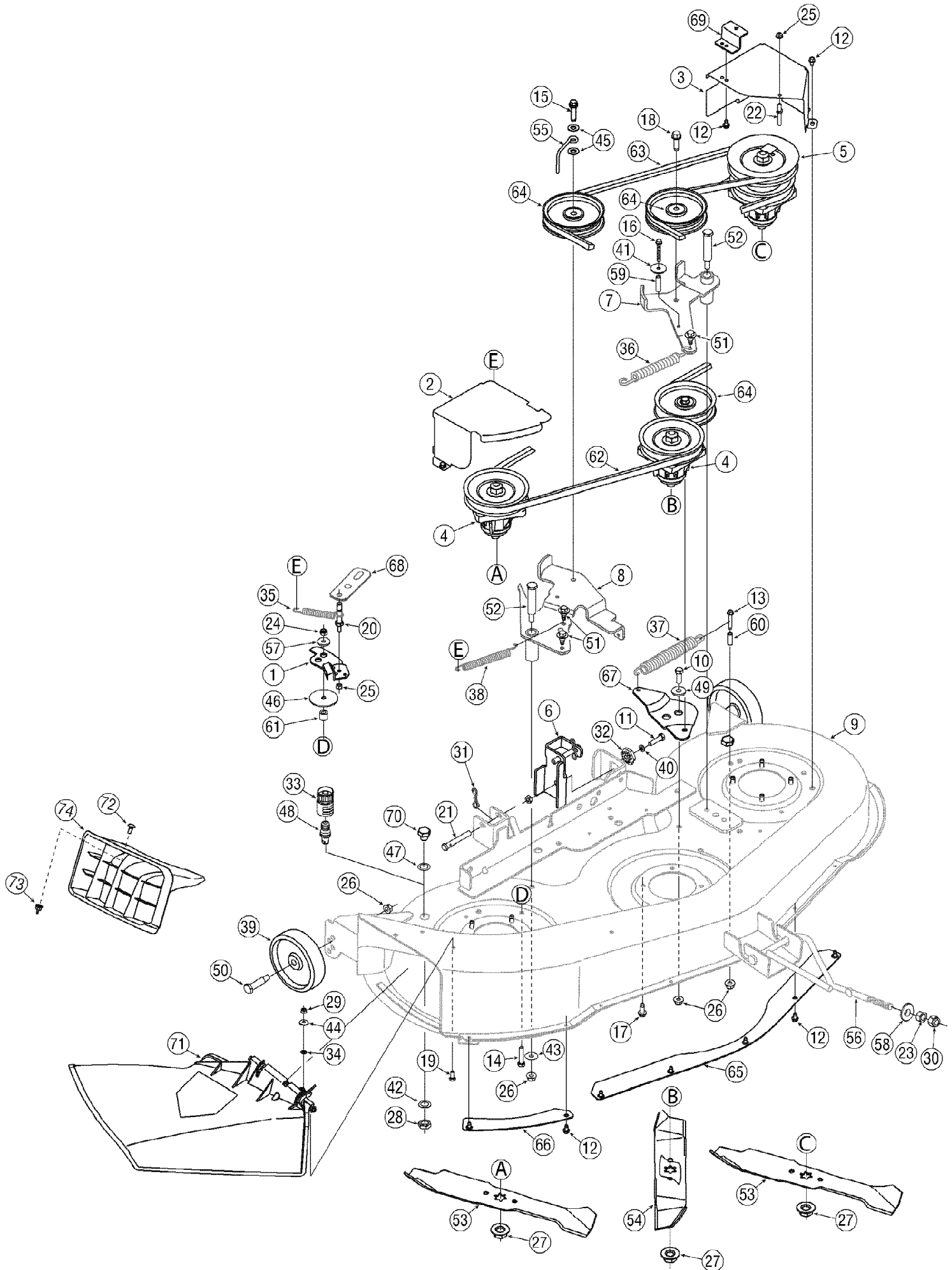


13AN775H790 LT-546G (2007)
Deck Assembly 46 Inch



13AN775H790 LT-546G (2007)
Deck Assembly 46 Inch

Page 2 of 23

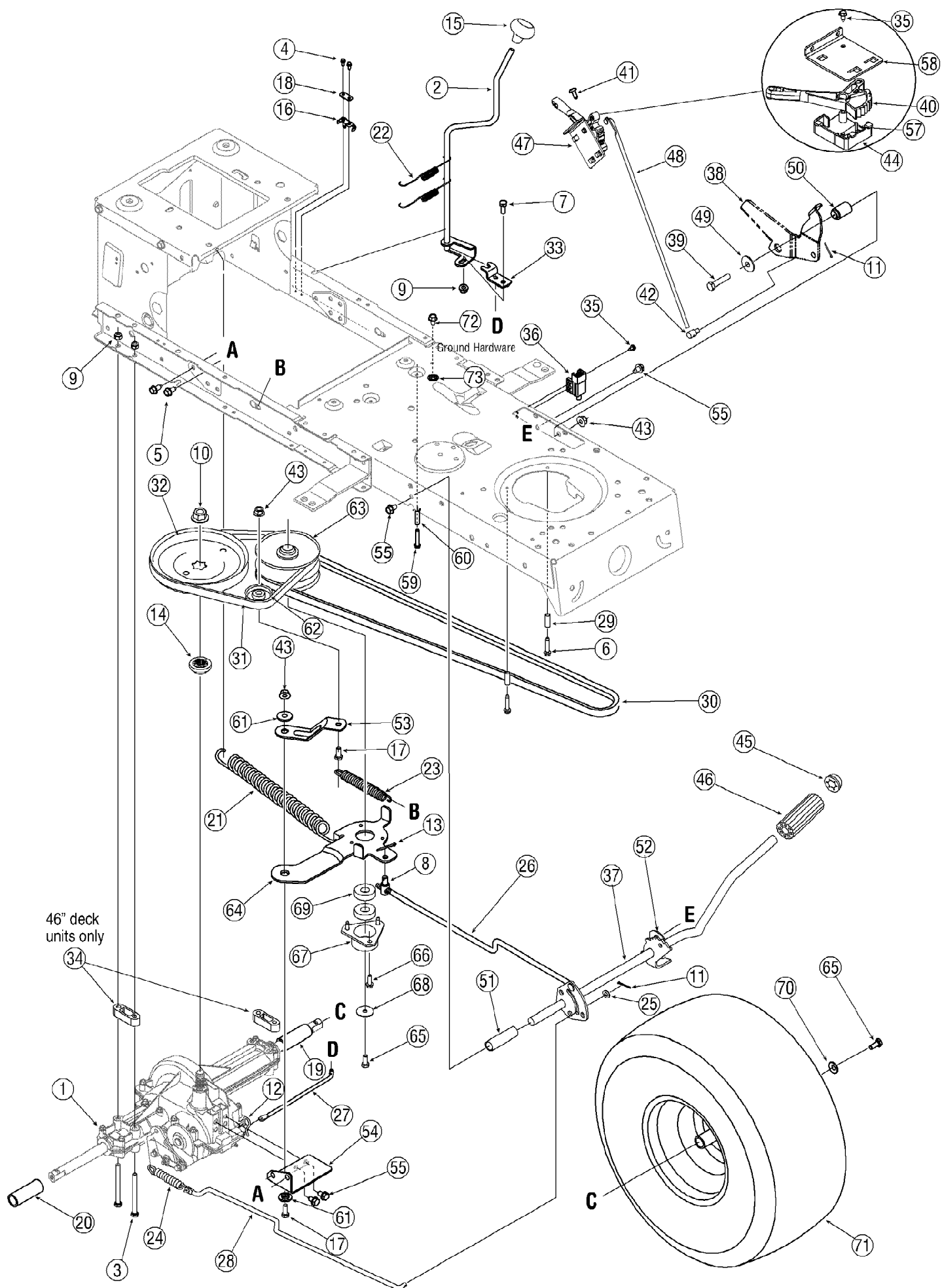
Ref #	Part Number	Qty	S/P/F	Description
1	17116	1	S	Deck Brake Assembly
2	17258E	1		Deck Belt Cover RH
3	783-1348D	1	/P	Deck Belt Cover LH
4	618-0240A	1	S	Spindle Assembly
4	17983	1		Bearing Shield Not shown
4	619-0042A	1	/P	Spindle Housing Not shown
4	712-0417A	1	/P	Flange Nut:5/8-18 Not shown
4	738-0927	1		Spindle Shaft:4.450 LG. Not shown
4	941-0919	1	/P	Ball Bearing:20x47x14:62 Not shown
4	748-0434	1		Spacer:.750 x 1.150 x .230 Not shown
4	750-0952	1		Spacer:.792 x 1.060 x 1.800 Not shown
4	756-1187	1		Deck Pulley:5.00 Dia Not shown
5	618-04134B	1	S	Double Pulley Spindle Assy.
5	17983	1		Bearing Shield Not shown
5	619-0042A	1	/P	Spindle Housing Not shown
5	712-0417A	1	/P	Flange Nut:5/8-18 Not shown
5	736-0315	1	/P	Flat Washer:.760 X 1.5 Not shown
5	938-1128	1	/P	Spindle Shaft:6.58 LG. Not shown
5	941-0919	1	/P	Ball Bearing:20X47X14:62 Not shown
5	750-04440	1		Spacer:.792 X 1.060 X Not shown
5	750-0952	1		Spacer:.792 X 1.060 X Not shown
5	750-1304	1		Spacer:.792 X 1.060 X Not shown
5	756-04094	1		Deck Pulley:5.00 DIA X Not shown
5	756-1188	1		Deck Pulley:5.75 DIA Not shown
6	683-0254B	1	/P	Deck Hanger Bracket Assy.
7	683-04250A	1	/P	Idler Bracket Assembly LH
8	683-04251A	1	/P	Idler Bracket Assembly RH
9	683-04306	1	S	Deck Assembly
10	710-0514	1	/P	Hex Screw, 3/8-16 x 1.00
11	710-0528	1	/P	Hex Screw, 5/16-18 x 1.25
12	710-0599	1	/P	Screw, 1/4-20 x .50
13	710-0778	1	/P	Screw, 1/4-20 x 1.50
14	710-0805	1	/P	Hex Screw, 5/16-18 x 1.50
15	710-1007	1	/P	Sems Screw, 3/8-16 x 1.50
16	710-1026	1	/P	Screw, 1/4-20 x 1.75
17	710-1260A	1	/P	Screw, 5/16-18, .750
18	710-1315	1	/P	Screw, 3/8-16, x 1.25
19	710-3015	1	/P	Screw, 1/4-20 x .75
20	711-04636	1		Pin, 1/4-20: 3/8 x 2.685
21	711-04669	1		Clevis Pin, 3/8 dia. x 2.75
22	711-0993	1	S	Belt Guard Pin, 1/4 x 1.43 lg.
23	712-0206	1	S	Hex Nut, 1/2-13
24	712-04063	1	/P	Flange Lock Nut, 5/16-18
25	712-04064	1	/P	Flange Lock Nut, 1/4-20
26	712-04065	1	/P	Flange Lock Nut, 3/8-16
27	712-0417A	1	/P	Flange Nut, 5/8-18
28	712-0641	1	S	Hex Nut, M16-1.5
29	712-3006	1	/P	Hex Nut, 1/4-20
30	712-3083	1	/P	Hex Lock Nut, 1/2-13
31	714-04043	1		Bow-Tie Cotter Pin
32	717-04074	1	S	Deck Adjustment Gear
33	721-04041	1	S	Water Nozzle Adapter If Equipped
34	726-0233	1	/P	Part Number 726-0233 ID x .50 OD

13AN775H790 LT-546G (2007)
Deck Assembly 46 Inch

Page 3 of 23

Ref #	Part Number	Qty	S/P/F	Description
35	732-0429A	1	S	Extension Spring, .50 x 3.97 Lg.
36	732-04400	1		Extension Spring, .75 x 6.835 Lg.
37	732-0594A	1	S	Extension Spring, .91 x 7.33 Lg.
38	732-0814	1		Extension Spring, .56 x 5.52 lg.
39	734-0973	1	/P	Deck Wheel 5.0 x 1.38
40	736-0119	1	S	Lock Washer, 5/16
41	736-0211	1	S	Flat Washer, .285 x 1.25 x .06
42	736-0225	1	/P	Lock Washer, 5/8 Int. Tooth
43	736-0258	1	/P	Flat Washer, .385 x 1.0 x .135
44	736-0270	1	/P	Bell Washer, .265 x .75 x .062
45	736-0300	1	S	Flat Washer, .406 x .875 x .059
46	736-0418A	1	/P	Flat Washer, .406 x .875 x .059
47	736-0187	1	/P	Flat Washer, .64 x 1.24 x .06
48	737-04003C	1	S	Deck Water Nozzle If Equipped
49	738-0347	1	S	Shoulder Spacer, .625 ID x .169
50	738-0373	1	S	Shoulder Bolt .496 x 1.525: 3/8-16
51	738-04091	1	S	Shoulder Screw .43 x .29:5/16-18
52	738-04216A	1	/P	Shoulder Bolt .625 x 2.515: 3/8-16
53	742-0611A	1	S	Blade, 3 in 1 star, 16.28" Lg.
54	742-0612A	1	S	Blade, 3 in 1 star, 14.88" Lg.
55	747-04530	1		Belt Keeper Rod
56	747-04645	1		Front Deck Adjustment Rod
57	748-0234	1	/P	Shoulder Spacer
58	748-04069	1		Deck Lift Pivot Cup
59	750-04456	1		Spacer, .260 x .372 x 1.420 Lg.
60	750-0566A	1	/P	Spacer, .260 x .372 x 1.030 Lg.
61	750-1320	1		Spacer, .375 x .63 x .595 Lg.
62	754-0349	1	S	V-Belt, 79.10 Lg.
63	754-04142	1	S	V-Belt, 91.4 Lg.
64	756-04129	1	S	Idler Pulley, 4.25" dia.
65	783-0141	1		Center Deck Skirt
66	783-0142	1	S	RH Deck Skirt
67	783-04641A	1		Idler Bracket
68	783-05321	1	S	Brake Bracket
69	783-05360	1	S	Deck Stop Bracket
70	738-04146	1		Bolt Plug, M16 x 1.5
71	731-1032B	1	S	Discharge Chute
72	710-0134	1	/P	Carriage Screw, 1/4-20 x .62 If Equipped
73	712-3087	1	/P	Wing Nut, 1/4-20 If Equipped
74	731-05264	1		Mulch Plug, 46" Deck If Equipped

13AN775H790 LT-546G (2007)
Drive



13AN775H790 LT-546G (2007)
Drive

Page 5 of 23

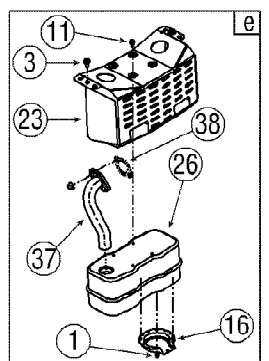
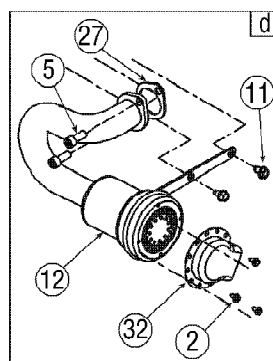
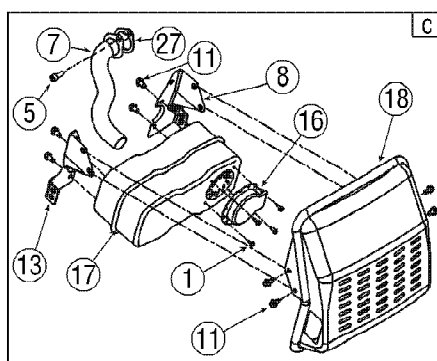
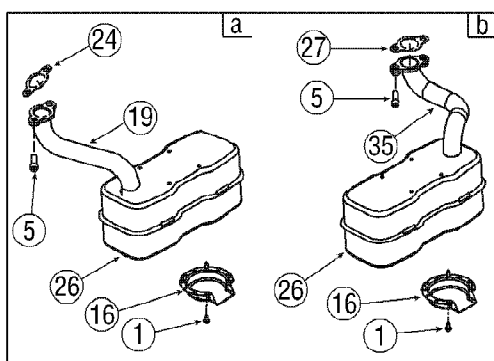
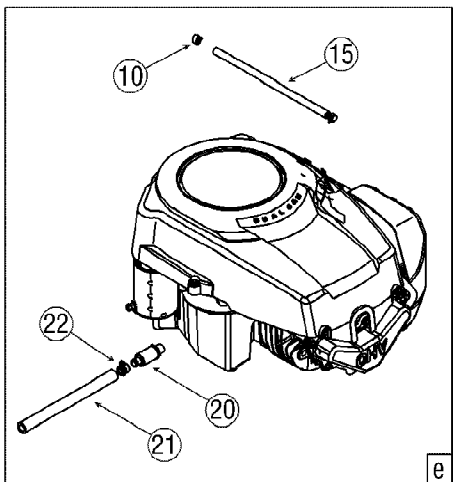
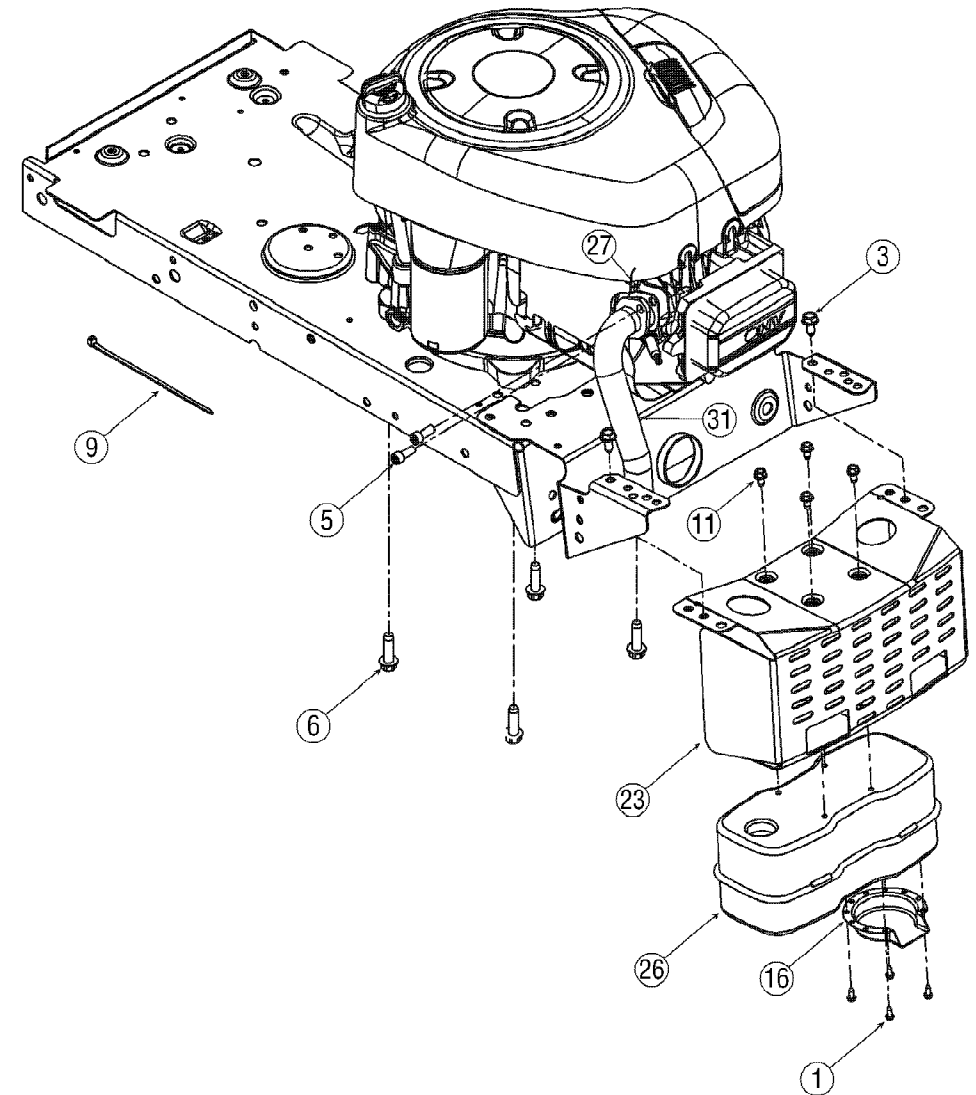
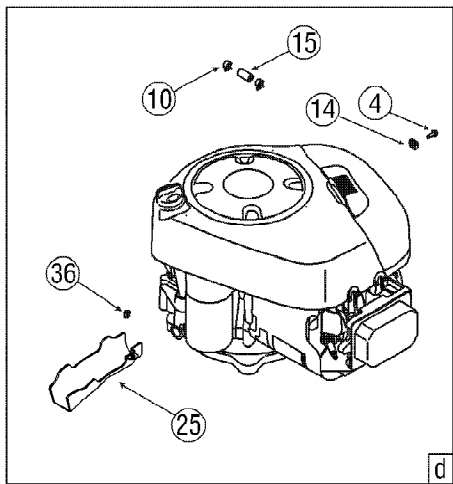
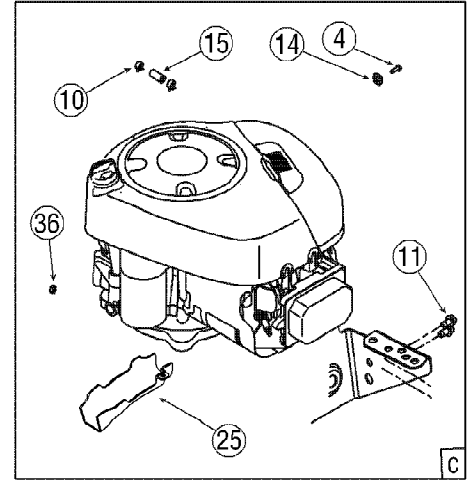
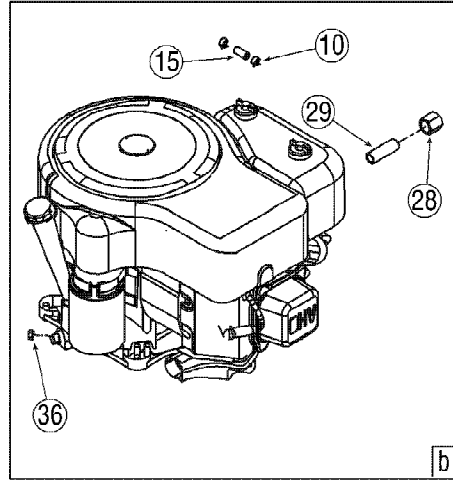
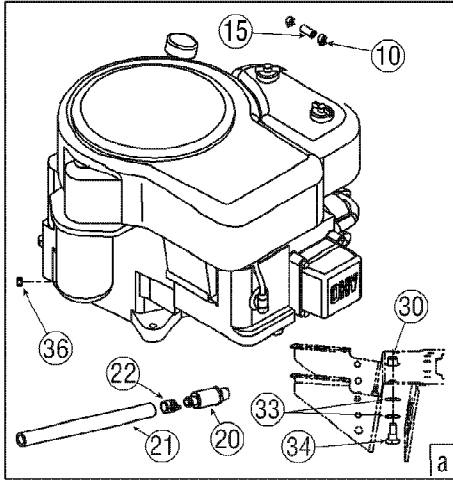
Ref #	Part Number	Qty	S/P/F	Description
1	618-04034	1	S	Transmission Assembly
2	647-04035	1		Lever Assembly, Shift
3	710-0176	1	/P	Screw, 5/16-18, 2.75 (38/42" Deck)
3	710-1266	1	/P	Screw, 5/16-18, 3.50 (46" Deck)
4	710-0227	1	/P	Screw, #8-18, 0.500
5	710-0726	1	/P	Screw, 5/16-12, 0.750
6	710-0809	1		Screw, 1/4-20, 1.250
7	710-3008	1	/P	Screw, 5/16-18, .75, Gr5
8	711-04075A	1	S	Ferrule, 3/8-24 x .375 Dia.
9	712-04063	1	/P	Nut, Flange Lock, 5/16-18, GrF
10	712-0700	1	/P	Nut, Flange, 9/16-18, Gr2
11	714-0111	1	S	Pin, Cotter, 3/32, 1.0
12	714-0209	1	S	Cotter Pin, Internal .125 Dia
13	714-0470	1	S	Pin, Cotter, 1/8 x 1.25
14	718-0758A	1	S	Hub, Pulley, 5/8 Spline
15	720-04028	1		Knob, Shift
16	725-1644	1		Spring Switch, Short
17	710-0520	1	/P	Screw, 3/8-16 x 1.50
18	726-0320	1	S	Plate, Insulator Nut
19	731-04602	1		Sleeve, .758 x .821 x 3.3125
20	731-04604	1		Sleeve, .758 x .821 x 2.4375
21	732-04076A	1	/P	Spring, Extension, 1.15 OD x 7.90
22	732-04276A	1	/P	Spring, Extension
23	732-04306	1		Spring, Extension, .80 OD x 3.28
24	732-0716C	1	S	Spring, Extension, .59 OD x 4.00
25	736-0264	1	S	Washer, Flat, .330 x .630 x .0635
26	747-04265	1		Control Rod Var. Spd.
27	747-04568	1		Rod, Shift (46" Deck)
27	747-04277	1		Rod, Shift (38/42" Dk.)
28	747-04287	1		Rod, Brake
29	750-0566A	1	/P	Spacer, .260 x .372 x 1.030
30	754-04001A	1	S	Belt
31	754-0241A	1	S	Belt
32	756-04002	1	S	Pulley, V-Type, 7.25 Dia
33	783-04595	1		Shift Bracket, Adjustable
34	748-0334	1	S	Spacer .68 46 inch deck units only
35	738-04237	1		Screw, #10-16, 0.500
36	725-04363	1		Switch, Interlock
37	647-04034C	1		Pedal Assembly, Drive
38	783-04862	1	/P	Latch Bracket (RMC) Reverse Caution Mode
38	783-04903	1		Latch Bracket (No RMC) No Reverse Caution Mode
39	710-3144	1	/P	Screw, 3/8-16, 2.00, Gr5
40	N/A	1		6 Speed Shift Lever furnish assembly
40	N/A	1		7 Speed Shift Lever furnish assembly
41	710-04483	1		Screw, 1/4-20, 0.500
42	711-0736	1	/P	Adjustment Ferrule 1/4-20
43	712-04065	1	/P	Nut, Flange Lock, 3/8-16, GrF
44	731-05361	1		Control Cover
45	726-0214	1	/P	Push Cap, 5/8
46	735-0239	1	/P	Pad, Foot, 4.0
47	683-04225	1	S	Shift Cont. Assembly, 6-Spd

13AN775H790 LT-546G (2007)
Drive

Page 6 of 23

Ref #	Part Number	Qty	S/P/F	Description
47	683-04216	1	S	Shift Cont. Assembly, 7-Spd
48	747-04430	1		Control Rod, Speed Selector
49	736-0247	1	/P	Washer, Flat, .406 x 1.25 x .157
50	750-04465	1		Spacer, Flge, .390 x .671 x 1.095
51	750-0802	1		Spacer, .640 ID x .76 OD x 2.63
52	783-04536	1		Support Bracket, Pedal
53	683-04207	1		Bracket, Idler
54	683-04176A	1	/P	Torque Bracket, Transmission Mounts in top holes on 38/42" deck units. Mounts in bottom holes on 46" deck units.
55	710-0604A	1	/P	Screw, 5/16-18, 0.625
56	710-0520	1	/P	Screw, 3/8-16, 1.25, Gr5
57	732-0627	1		Shift Lever Spring
58	783-04830	1		Control Bracket
59	710-1325	1	/P	Screw, 1/4-20 x 1.625
60	750-04456	1		Spacer, .260 x .372 x 1.420
61	738-0347	1	S	Spacer, Shoulder, .625 ID x .169
62	756-04213	1	/P	Pulley, Flat Idler
63	656-04015	1	S	Pulley Assy, Variable Speed
64	683-04206	1		Bracket Assy, Variable Speed
65	710-0627	1	/P	Screw, 5/16-24, .750, Gr5
66	710-0778	1	/P	Screw, 1/4-20, 1.50
67	718-04261	1		Cup, Bearing
68	736-0362	1	/P	Washer, Flat, .330 x 1.25 x .06
69	741-0124	1	S	Bearing, Ball, 17 x 40 x 12
70	736-0242	1	/P	Bell Washer, .34 x .872 x .060
71	634-04324	1		Wheel Assy, Round Shoulder
71	734-04241	1		Tire Only, 20 x 8 x 8, Round Shld. Not shown
71	634-0070	1	/P	Rim Assy. (Inc. bearings, valve stem) Not shown
71	634-0104	1		Wheel Assy, Square Shoulder Not shown
71	734-1730	1		Tire Only, 20 x 8 x 8, Square Shld Not shown
71	734-0603A	1	S	Rim Assy. (Inc. bearings, valve stem) Not shown
72	710-0599	1	/P	Screw, 1/4-20 x .500
73	736-0222	1	S	Lock Washer, 1/4

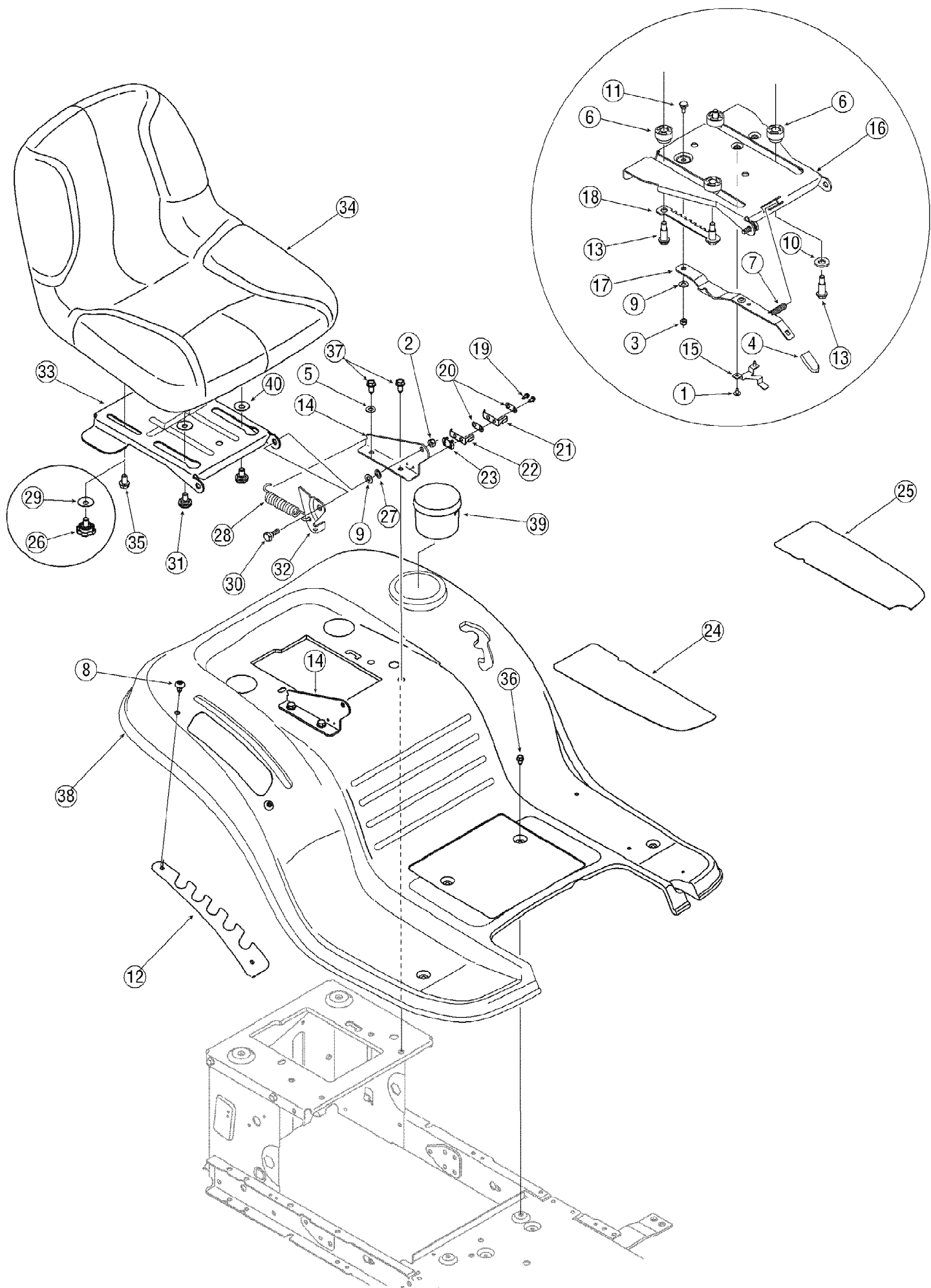
13AN775H790 LT-546G (2007)
Engine Accessories



13AN775H790 LT-546G (2007)
Engine Accessories

Page 8 of 23

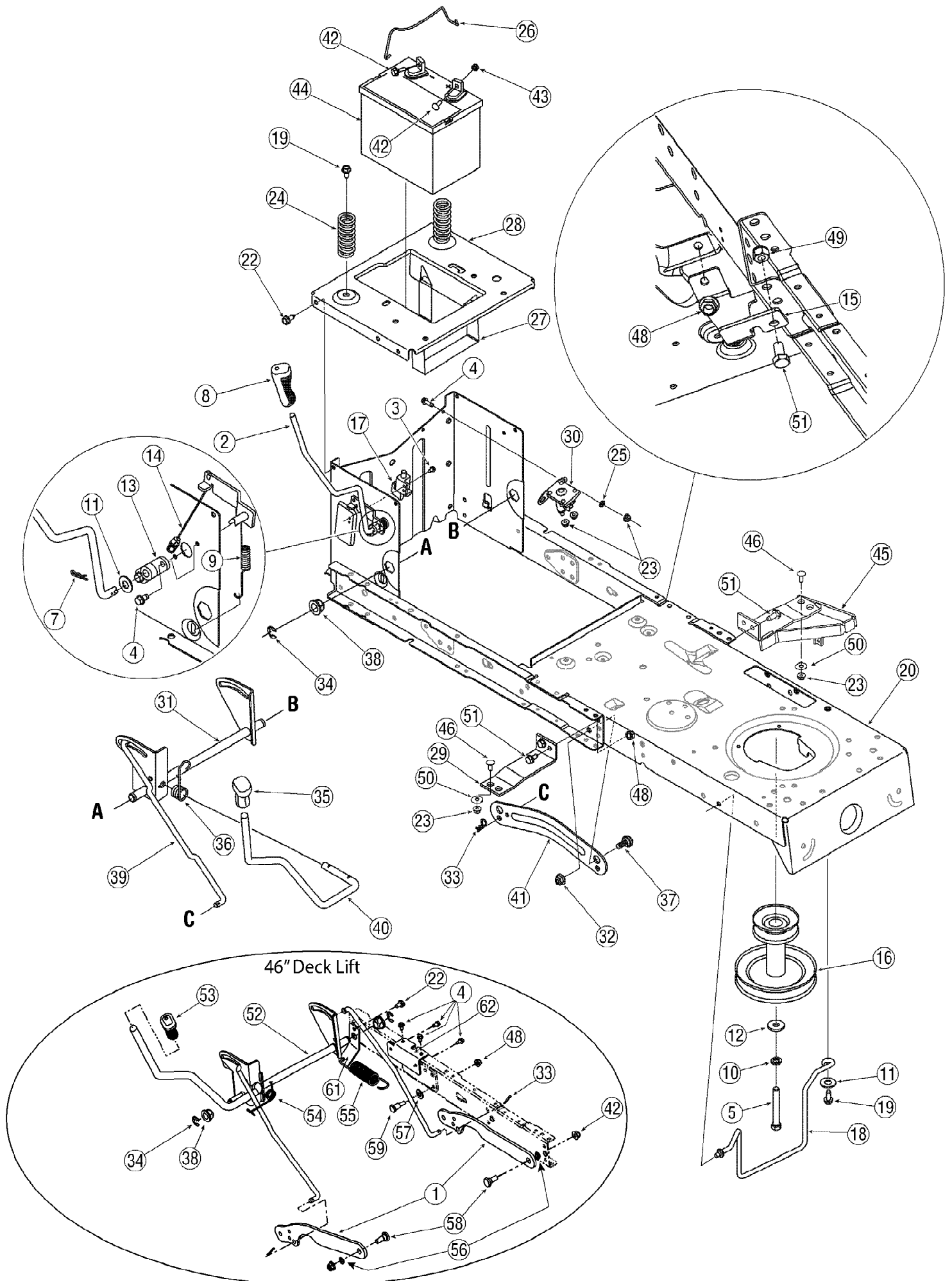
Ref #	Part Number	Qty	S/P/F	Description
1	710-0227	1	/P	Screw, #8-18 x .50
2	710-1502	1		Screw, #8-18 x .375
3	710-0604A	1	/P	Self-tapping Screw, 5/16-18, .625
4	710-1237	1		Screw, #10-32, .625
5	710-1314A	1	/P	Socket Cap Screw, 5/16-18, .625
6	710-1315	1	/P	Self-tapping Screw, 3/8-16, 1.25
7	751-10013	1		Exhaust Pipe
8	783-04573	1		LH Muffler Bracket
9	725-0157	1	/P	Cable Tie, 7.4"
10	726-0205	1	/P	Hose Clamp, .490
11	710-0599	1	/P	Screw, 1/4-20, 0.500
12	751-9986A	1	/P	Muffler, Bug
13	783-04574	1		RH Muffler Bracket
14	751B221535	1	/P	Casing Clamp
15	751-10349	1		Fuel Line Hose
16	751-0564B	1	/P	Muffler Deflector See ipl note
17	751-10162	1		Muffler, Single Inlet
18	783-04576	1		Muffler Shield
19	751-0620A	1	/P	Exhaust Pipe
20	751-3140	1	S	Oil Drain Valve
21	751-3141	1	S	Oil Drain Hose
22	751-3142	1		Oil Drain Cap
23	783-0615D	1	S	Muffler Heat Shield See ipl note
24	721-0348	1		Exhaust Gasket
25	731-05628	1		Oil Drain Sleeve
26	751-0617B	1	S	Muffer, Single Inlet See ipl note
27	721-0208	1	S	Exhaust Gasket See ipl note
28	737-0143	1	S	Oil Drain Cap, 3/8-18
29	737-0199	1	S	Oil Drain Pipe, 3/8-16, 2.0
30	712-04065	1	/P	Flange Lock Nut, 3/8-16
31	751-0619A	1	/P	Exhaust Pipe See ipl note
32	751B222261	1		Muffler Deflector
33	736-0300	1	S	Flat Washer, .406 x .875 x .059
34	738-0143	1	/P	Shldr Screw, .498 x .340 x 3/8-16
35	751-0622A	1	/P	Exhaust Pipe
36	712-0271	1	/P	Hex Sems Nut, 1/4-20
37	751-10047	1		Kohler Courage Exhaust Pipe
38	KH-20-041-12-S	1	/P	Gasket, Kohler Courage



13AN775H790 LT-546G (2007)
Fender Assembly

Page 10 of 23

Ref #	Part Number	Qty	S/P/F	Description
1	710-1268	1	/P	Screw, #10-16, .375
2	712-04063	1	/P	Nut, Flange Lock, 5/16-18, GrF
3	712-3027	1	S	Nut, Flange Lock, 1/4-20
4	720-0309A	1	/P	Seat Adjuster Grip
5	736-0607	1	/P	Lock Washer, 5/16
6	731-04074	1		Spacer
7	732-0499	1		Compression Spring, .41 x 1.5
8	710-04483	1		Screw, 1/4-20 x .500
9	736-0275	1	S	Wash, Flat, .344 x .688 x .065
10	736-3019	1		Wash, Flat, .531x 1.062 x .134
11	738-0137A	1	S	Screw, Shlder, .340 x .285, 1/4-20
12	783-04843	1		Lift Adjustment Bracket
13	738-0966	1	S	Screw, Shlder, .50 x .925, 3/8-16
14	783-1489C	1		Mounting Bracket, Seat
15	783-0611	1		Seat Stop
16	783-0738B	1	S	Seat Pivot Bracket
17	783-0739A	1	S	Seat Adjustment Lever
18	783-0753	1		Seat Adjustment Selector
19	710-0227	1	/P	Screw, #8-18 x .50
20	726-0279	1		Plate, Insulator
21	725-1303	1	S	Spring Switch, Outer
22	725-1439	1		Spring Switch, Inner
23	726-0278	1		Plate, Insulator Boss
24	723-04025	1		Foot Pad, Abrasive, RH
24	735-04048	1		Foot Pad, Rubber RH
25	723-04026	1		Foot Pad, Abrasive, LH
25	735-04047	1		Foot Pad, Rubber LH
26	720-04061	1		Knob, 3/8-16, .875
27	726-0201	1		Nut, Speed, .3125 Id
28	732-1184	1	/P	Spring, Exten., .84 Dia x 4.6 Lg.
29	736-0101	1	S	Washer, Flat, .406 x 1.00 x .030
30	738-0296	1	S	Scr., Shlder, .437 x .268, 5/16-18
31	738-04012A	1	/P	Screw, Shlder, .625 x .175, 3/8-16
32	783-0209D	1	/P	Lift Bracket, Seat
33	783-04081A	1		Pivot Bracket, Seat
34	757-04001A	1	/P	Seat, Low, Black
34	757-04037	1	S	Seat, Medium, Black
34	757-04038A	1	/P	Seat, Low, Yellow
35	710-04482	1		Screw, 3/8-16, .875
36	710-0599	1	/P	Screw, 1/4-20, 0.500
37	710-0604A	1	/P	Screw, 5/16-18, 0.625
38	783-04587A	1		Fender
39	731-04591A	1	/P	Cup Holder
40	736-0300	1	S	Flat Washer, .406 x .875 x .059
40	736-0140	1	S	Flat Washer, .395 x .62 x .063
	726-3046	1	/P	Ratchet Clip (For use w/ rubber foot pad) Not shown



13AN775H790 LT-546G (2007)
Frame

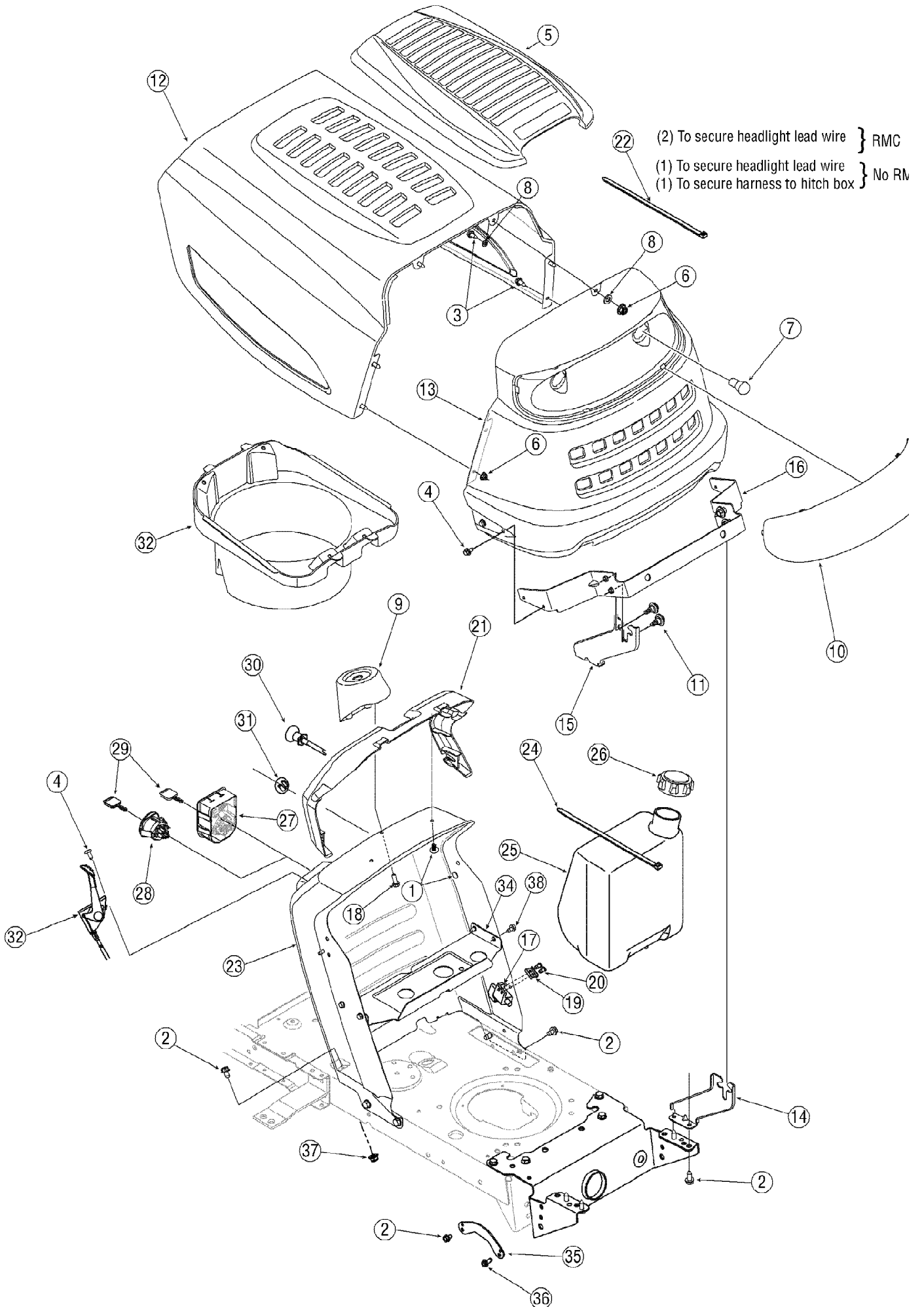
Page 12 of 23

Ref #	Part Number	Qty	S/P/F	Description
1	783-0678C	1	/P	Deck Lift Link
2	647-04096	1		Handle Assembly, PTO
3	738-04237	1		Shoulder Screw, #10-16, 0.500
4	710-0599	1	/P	Screw, 1/4-20, 0.500
5	710-3157A	1	/P	Screw, 7/16-20, 3.25 38 & 42" Deck
5	710-04607	1		Screw, 7/16-20, 2.75 46" Deck
7	714-0145	1	S	Pin, Click, .092 x 1.64
8	720-04049	1	S	Grip, Handle, 3/8
9	732-04276A	1	/P	Spring, Extension
10	736-0171	1	S	Washer, Lock, 7/16
11	736-0300	1	S	Washer, Flat, .406 x .875 x .059
12	736-0322	1	/P	Washer, Flat, .450 x 1.250 x .164
13	741-04119	1	S	Bearing, PTO
14	746-04173B	1	S	Cable, Deck Engagement
15	783-04753	1		Frame Support Bracket
16	756-04196	1	S	Engine Pulley, 38" & 42" Deck
16	756-04207	1	S	Engine Pulley, 46" Deck
17	725-04363	1		Switch, Interlock
18	747-04332A	1	/P	Rod, Belt Keeper (38" Deck)
18	747-04307	1	S	Rod, Belt Keeper (42" Deck)
19	710-1260A	1	/P	Screw, 5/16-18, .750
20	683-04163B	1		Frame Assembly
21	710-0642	1	/P	Screw, 1/4-20, 0.750
22	710-0604A	1	/P	Screw, 5/16-18, 0.625
23	712-04064	1	/P	Nut, Flange Lock, 1/4-20, GrF
24	732-04035	1		Spring, Compr. , 1.28 OD x 3.125
25	736-0222	1	S	Washer, Lock, 1/4
26	747-04385	1	S	Hold Down Rod, Battery
27	783-04869	1		Bracket, Battery
28	783-04548A	1	S	Seat Bracket, Frame
29	783-04637	1	S	Bracket, Runing Board
30	725-04439	1		Solenoid
31	683-04155A	1	S	Shaft Assembly Lift 38/42" Decks
32	712-04065	1	/P	Nut, Flange Lock, 3/8-16, GrF
33	714-04043	1		Pin, Cotter .08 x 1.56 Intern. RH
33	714-0470	1	S	Pin, Cotter .080 x 1.25 Intern. LH
34	716-0106A	1		Ring, E-Type, .625 Dia.
35	720-0311	1		Grip, Handle, 1/2
36	732-04225	1		Spring, Torsion 38/42" Decks
37	738-04130	1		Screw, Shldr. , .625 x .175, 3/8-16
38	741-0225	1	S	Bearing, Hex Flange
39	747-04393	1		Rod, Lift
40	747-04282	1		Deck Handle, Lift, 38/43" Decks
41	783-04494	1		Lift Arm, Deck - RH
41	783-04711	1		Lift Arm, Deck - LH
42	710-04466	1	S	Screw, Carriage, 1/4-20, .75, Gr5
43	712-0271	1	/P	Nut, Sems, 1/4-20
44	725-1737A	1	S	Battery, 190 CCA
44	725-1704A	1	S	Battery, 125 CCA
45	683-04195	1		Support Bracket Assembly
46	710-0134	1	/P	Carriage Screw, 1/4-20 x .62
47	710-3025	1	/P	Screw, 5/16-18 x .625
48	712-04063	1	/P	Flange Lock Nut, 5/16-18

13AN775H790 LT-546G (2007)
Frame

Page 13 of 23

Ref #	Part Number	Qty	S/P/F	Description
49	712-0429	1	S	Hex Lock Nut, 5/16-18
50	736-0173	1	/P	Flat Washer, .28 x .74 x .063
51	710-3008	1	/P	Hex Screw, 5/16-18 x .75
52	683-04334	1	S	Shaft Assembly Lift 46" Decks
53	720-0298	1		Grip, Handle, 5/8
54	732-04438	1		Spring, Torsion 46" Deck
55	732-0934	1		Extension Spring
56	736-0140	1	S	Washer, Flat, .385 x .62 x .063
57	736-0226	1	S	Washer, Flat, .474 x .879 x .064
58	738-0380	1	S	Bolt, Shldr. .500 x .270 3/8-16
59	738-0754	1		Screw, Shldr. , .437 x .54
60	747-04653	1		Deck Handle, Lift, 46" Deck
61	783-04462	1		Lift Bracket
62	783-05389	1	S	Frame Brace Bracket



13AN775H790 LT-546G (2007)
Hood Style 1 and 5

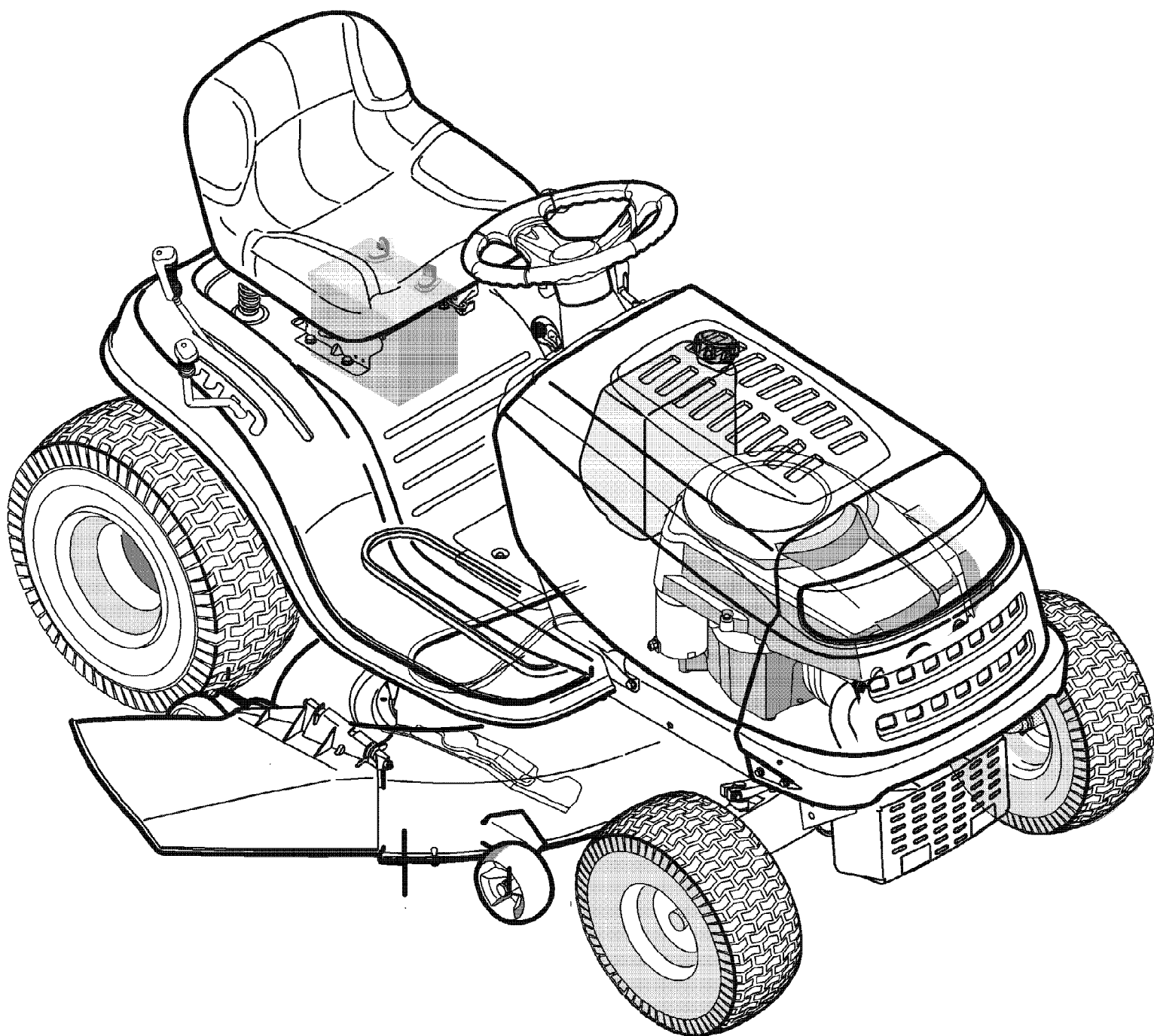
Page 15 of 23

Ref #	Part Number	Qty	S/P/F	Description
1	726-04072	1	S	Ratchet Clip .250 Dia. x .500 Lg.
2	710-0604A	1	/P	Screw, 5/16-18, 0.625
3	710-0751	1	/P	Screw, 1/4-20, .620, Gr5
4	710-04483	1		Screw, 1/4-20, .500 765 & 775 Models Only
5	731-05522	1		5-Style Hood Cover
6	712-04064	1	/P	Nut, Flange Lock, 1/4-20, Gr5
7	725-0963	1	S	Headlamp, 12V
8	736-0176	1	S	Washer, Flat, .265 x .938 x .120
9	731-04945	1		Support, Steering
10	731-04949	1	S	Lens
11	738-04091	1	S	Screw, Shoulder, .43 x.29, 5/16-18
12	783-04551	1		Hood
13	783-04552	1		Grille
14	783-04577A	1	S	Pivot Bracket, LH
15	783-04578A	1	S	Pivot Bracket, RH
16	783-04621	1	S	Pivot Bracket, Grille
17	725-04039	1	S	Switch Models equipped with Reverse Caution Mode
18	710-0895	1		Screw, 1/4-15, 0.750
19	17962	1		Switch Plate Models equipped with Reverse Caution Mode
20	728-04021	1		Pop Rivet Models equipped with Reverse Caution Mode
21	731-04947A	1	/P	Collar, Dash
22	725-0157	1	/P	Cable Tie
23	783-04892	1		Dash Assembly (RMC) Reverse Caution Mode
23	783-04873	1		Dash Assembly (No RMC) No Reverse Caution Mode
24	726-0230	1	/P	Cable Tie, 34.75
25	751-0555B	1	/P	Fuel Tank, 1.5 gal.
26	751-0603	1	S	Fuel Tank Cap
27	725-04227B	1	S	Module, Ignition Switch (RMC) Reverse Caution Mode
28	725-1741	1	S	Ignition, Switch (No RMC) No Reverse Caution Mode
29	725-1744	1	S	Key
30	746-1085A	1	S	Choke Control, 37.5"
31	731-05265	1		Plug
32	731-05147A	1	/P	Plenum (Single Cylinder Engine)
32	731-05566	1		Plenum (Kohler Single Cylinder)
32	731-05165	1		Plenum (Twin Cylinder Engine)
33	746-04364	1		Throttle/Choke Control, 25" (Single Cylinder Engine)
33	746-1086	1	S	Throttle Control, 39" (Twin Cylinder Engine)
34	783-04584	1	S	Gas Tank Support Bracket
35	783-05027	1		Front Pivot Support Bracket
36	710-1260A	1	/P	Screw, 5/16-18 x .750
37	712-04063	1	/P	Nut 5/16-18

13AN775H790 LT-546G (2007)
Hood Style 1 and 5

Page 16 of 23

Ref #	Part Number	Qty	S/P/F	Description
38	710-0599	1	/P	Screw, 1/4-20, 0.500
	725-04432	1	S	Wire Harness (RMC) Not Shown
	725-04433	1	S	Wire Harness (No RMC) Not Shown
	725-04481	1		Wire Harness (No RMC) Kohler Only Not Shown
	777X41984	1		Headlight Lens Reflector Not Shown

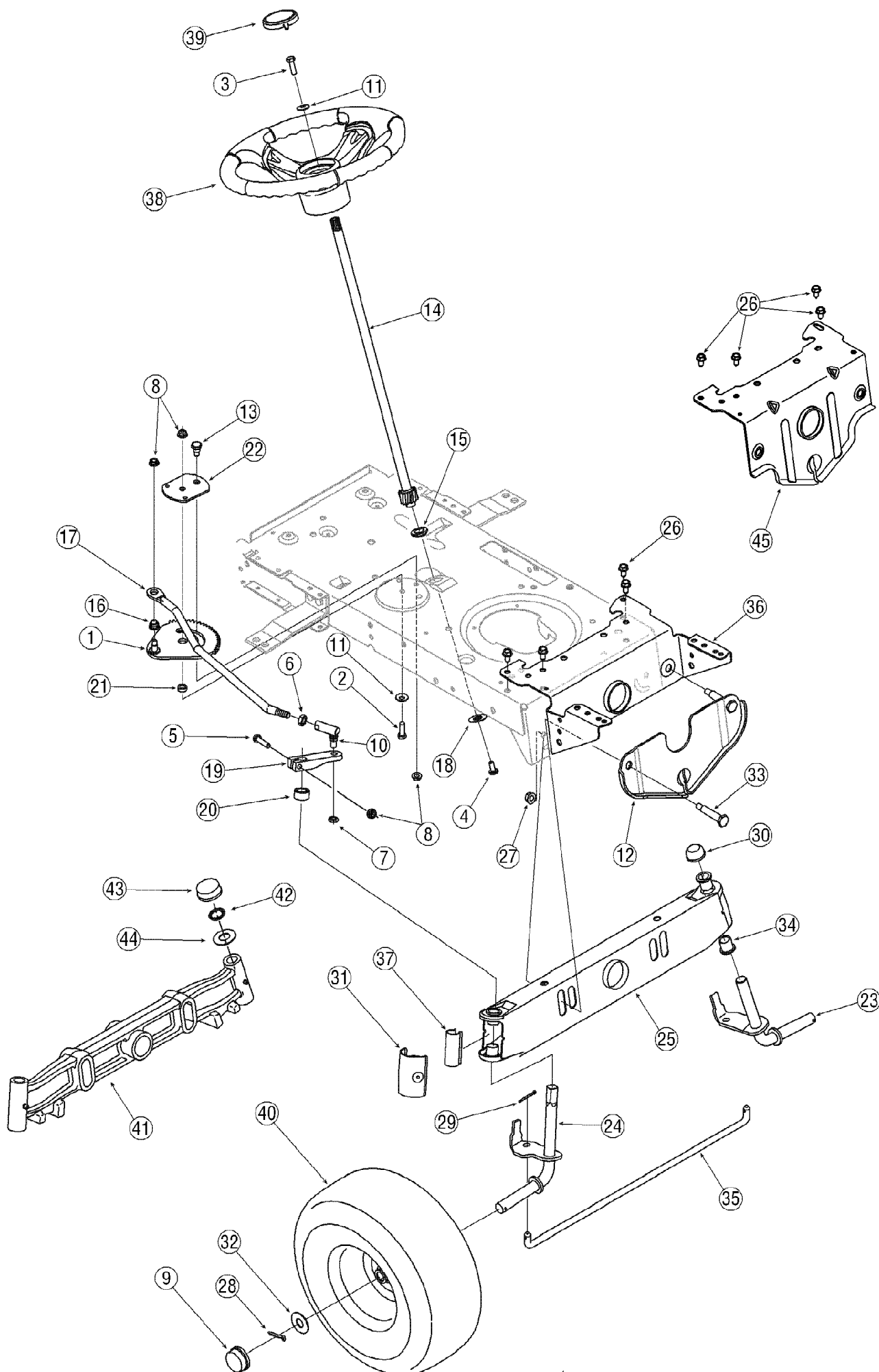


13AN775H790 LT-546G (2007)
Quick Reference 775H

Page 18 of 23

Ref #	Part Number	Qty	S/P/F	Description
	942-0611A	2	/P	Blades
	942-0612A	1	/P	Blades
	712-0417A	1	/P	Blade Nut
	954-0241A	1	/P	Upper drive Belt
	954-04001A	1	/P	Lower drive Belt
	954-0349	1	/P	Deck Spindle Belt
	954-04142	1	/P	Deck Spindle Belt
	918-0430A	2	S	Engine To deck Belt
	918-04134B	1	S	Deck Spindles
	925-1745	1	S	Ignition Keys
	725-04439	1		Solenoid
	BS-492932S	1	/P	Oil Filter
	BS-698083	1	S	Air Filter
	BS-697015	1	/P	Pre-Cleaner Element
	759-3336	1	/P	Spark Plug
	951-3013	1	S	Fuel Filter
	951-3111	1	S	Fuel Cap
	734-0973	2	/P	Deck Wheels
	723-0448A	1	S	Ball Joints
	741-0516B	1	/P	Wheel Bushings
	741-0990B	1	/P	Wheel Bushings in board
	725-04363	1		Safety Switch-deck
	725-04363	1		Safety Switch-Brake/Clutch
	737-04003C	1	S	Water Nozzle Adapter
	190-118-000	1		Mulch Kit (2007) (Attachment)
	190-679-101	1		Front Bumper (2007) (Attachment)
	190-833-000	1	S	46" Front Dozer Blade (2007) (Attachment)
	190-032-101	1		42" 2-Stage Snow Thrower (2007) (Attachment)
	19A-218-000	1		Rear Mount Weight (2007) (Attachment)
	190-182-190	1	S	Twin Bagger (2007) (Attachment)
	490-900-0025	1		Deck Wash Kit (Attachment)
	OEM-190-607	1	F	Deluxe Tractor Sunshade (Attachment)
	OEM-190-215	1	/P	Rear Wheel Weight Kit (Attachment)
	OEM-190-658	1	S	Tire Chains, 20 x 8 Tires (Attachment)

13AN775H790 LT-546G (2007)
Steering



13AN775H790 LT-546G (2007)
Steering

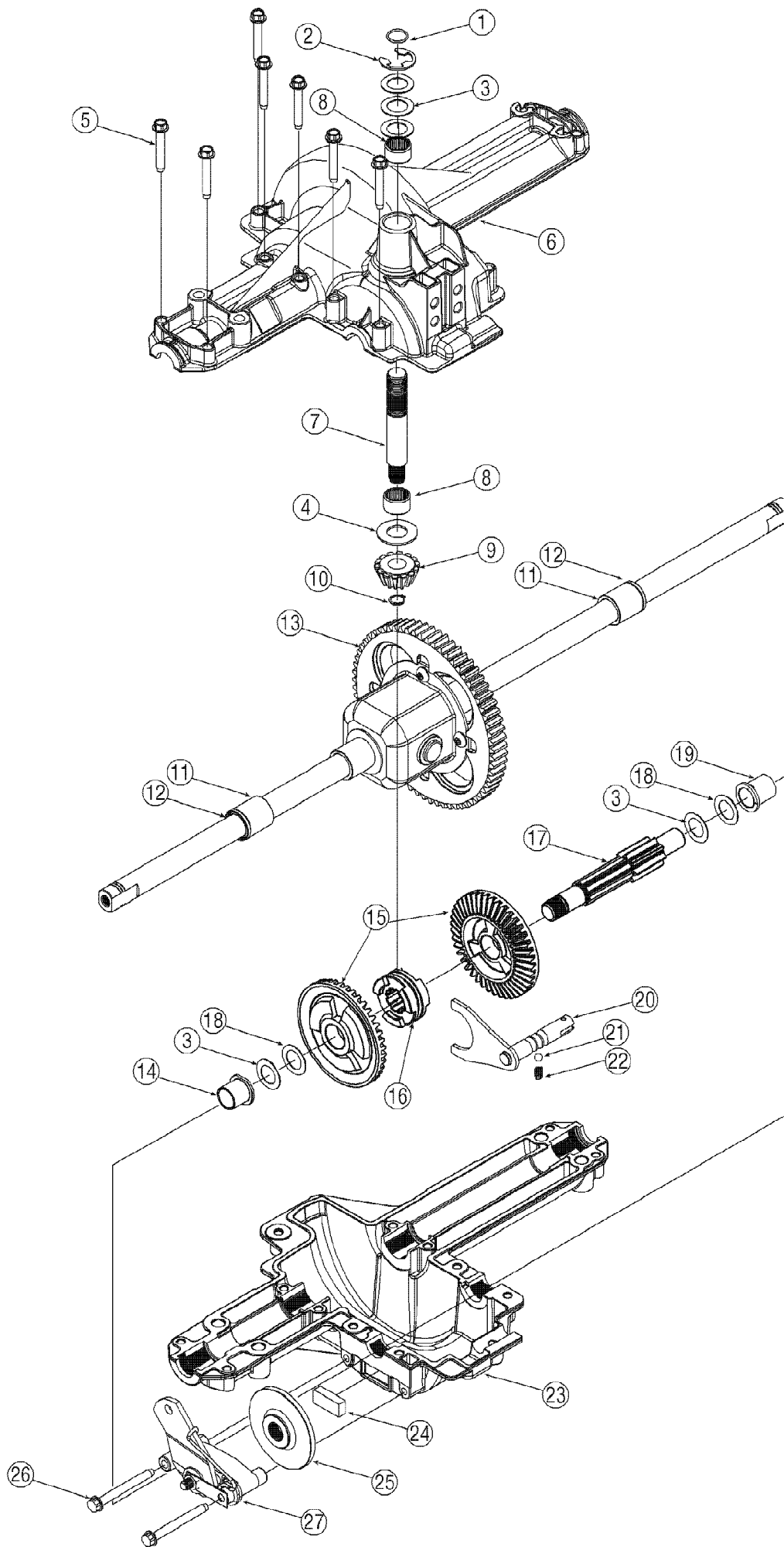
Page 20 of 23

Ref #	Part Number	Qty	S/P/F	Description
1	617-04024	1	S	Gear Assembly, Steering
2	710-0376	1	/P	Screw, 5/16-18, 1.00, Gr5
3	710-0643	1	/P	Screw, 5/16-18, 1.00, Gr5, Lock
4	710-1309	1	/P	Screw, Mach, 5/16-18, 0.750
5	710-3180	1	/P	Screw, 5/16-18, 1.75, Gr5
6	712-0240	1	S	Nut, Jam, 7/16-20, Gr2
7	712-0262	1	/P	Nut, Jam Lock, 3/8-24, Gr2
8	712-04063	1	/P	Nut, Flange Lock, 5/16-18, Grf
9	731-0484A	1	S	Hub Cap
10	723-0448A	1	S	Ball Joint, 7/16-20, Lock
11	736-0242	1	/P	Washer, Bell, .340 x .872 x .060
12	783-04568	1		Front Hanger Bracket, Deck
13	738-04141	1		Scr., Shlder, .435 x .3485, 5/16-18
14	738-0919	1	S	Steering Shaft, 5/8 Spline x 21.86
15	741-04124	1	S	Bearing, Flange, Hex 5/8
16	741-0475	1	S	Plastic Bushing .380 ID
17	747-04298	1		Drag Link, Steering
18	748-0389	1	S	Cap, 1.25 x .16
19	748-04065	1	S	Steering, Block
20	748-04068	1		Spacer, .710 ID x .125 OD x .56
21	750-04418	1		Spacer, .322 ID x .625 OD x .21
22	783-04644	1	S	Stabilizer Plate, Gear Segment
23	638-04007	1	S	Axle Assmby LH (38" & 42" Deck)
23	638-04013	1	S	Axle Assembly, LH (46" Deck)
24	638-04008	1	S	Axle Assmby RH (38" & 42" Deck)
24	638-04014	1	S	Axle Assembly, RH (46" Deck)
25	683-0128B	1	/P	Pivot Bar
26	710-0604A	1	/P	Screw, 5/16-18, 0.625
27	712-04065	1	/P	Nut, Flange Lock, 3/8-16, GrF
28	714-04039	1		Pin, Cotter, 5/32, 1.25
29	714-0474	1	S	Pin, Cotter, 1/8 x 0.75
30	726-0341	1	/P	Push Cap, 3/4
31	731-04057A	1		End Cap, Pivot Bar (Standard)
31	731-1291A	1	S	End Cap, Pivot Bar (w/ Fitting)
32	736-04228	1		Washer, Flat, .781 x 1.59
33	738-04128	1		Scr., Shlder, .500 x 2.380, 3/8-16
34	741-0660A	1	/P	Bearing, Flange, .760 x .941 x 1.0
35	747-04299A	1	/P	Tie Rod
36	783-04601B	1		Bracket, Pivot
37	731-04057A	1		Axle End Cap, Standard
38	631-04028	1		Steering Wheel, Standard Grip
38	631-04008	1	S	Steering Wheel, Soft Grip
39	731-04039	1		Cap, Steering Wheel (no logo)
39	731-04040	1		Cap, Steering Wheel (sprig logo)
39	731-04681	1		Cap, Steering Wheel (tine logo)
40	634-04325	1		Wheel Ass'y, Round Shoulder
40	734-04240A	1		Tire Only, 15 x 6 x 6, Round Shld. Not shown
40	634-04086	1		Wheel Ass'y, Square Shoulder Not shown
40	734-1731	1		Tire Only, 15 x 6 x 6, Square Shld. Not shown
40	634-04081	1	S	Rim Assembly (Incl. bearings and valve stem) Not shown
41	719-04105	1	/P	Pivot Bar, Cast

13AN775H790 LT-546G (2007)
Steering

Page 21 of 23

Ref #	Part Number	Qty	S/P/F	Description
42	726-04035	1		Push Nut 3/4 Dia.
43	731-04693	1		Push Cap
44	736-0316	1	S	Washer, Flat, .78 x 1.59 x .60
45	783-05326	1	S	Pivot Bar Bracket, T-Style Hood



13AN775H790 LT-546G (2007)
Transmission Assembly

Page 23 of 23

Ref #	Part Number	Qty	S/P/F	Description
1	732-0614	1		Ring, Wire
2	716-0231	1	S	Ring, E Type,.750
3	736-0336	1	S	Flat Washer, 5/8 x 1.0 x.030 Use applicable flat washer (ref. #'s 3 or 18) in this application allowing .0150/.0020 in. end-play
3	736-0337	1	S	Flat Washer, 5/8 x 1.0 x.040 Use applicable flat washer (ref. #'s 3 or 18) in this application allowing .0150/.0020 in. end-play
3	736-0349	1	S	Flat Washer, 5/8 x 1.0 x.020 Use applicable flat washer (ref. #'s 3 or 18) in this application allowing .0150/.0020 in. end-play
4	736-0335	1	S	Washer, Thrust.635 x 1.26 x.06
5	710-1325	1	/P	Self-tapping Screw, 1/4-20 x 1.625
6	719-04017	1	S	Upper Housing
7	711-1109	1		Input Shaft
8	741-0335	1	S	Needle Bearing,.625 x.813 x.495
9	717-1464	1		14-tooth Bevel Pinion
10	716-0108	1	S	Retaining Ring,.437
11	741-0340	1	S	Sleeve Bearing,.75 x 1.0 x 1.0
12	721-0338	1	S	Seal,.75 x 1.0 x.125
13	618-04041A	1	S	Differential Assembly
14	741-0336	1	S	Flange Bearing, 5/8 x 3/4 x 3/4
15	717-04056	1	S	42-tooth Bevel Gear
16	718-04045	1	S	Clutch Collar
17	711-04134	1	S	Drive Shaft
18	736-0495	1	S	Thrust Washer, 1.0 x.632 x.0 Use applicable flat washer (ref. #'s 3 or 18) in this application allowing .0150/.0020 in. end-play
18	736-0494	1		Flat Washer,.632 x 1.00 x.035 Use applicable flat washer (ref. #'s 3 or 18) in this application allowing .0150/.0020 in. end-play
19	741-0337	1	S	Flange Bearing, 5/8 x 3/4 x 15/16
20	611-0011	1	S	Detent Shaft Assembly
21	741-0862	1	/P	Detent Ball
22	732-0863	1	S	Compression Spring
23	719-04018	1	S	Lower Housing
24	717-0678	1	S	Brake Puck
25	761-0202	1		Brake Disc
26	710-1206	1	/P	Self-tapping Screw, 1/4-20 x 2.375
27	661-0001	1	S	Brake Assembly
	737-0148	1	S	Grease (19 oz.)